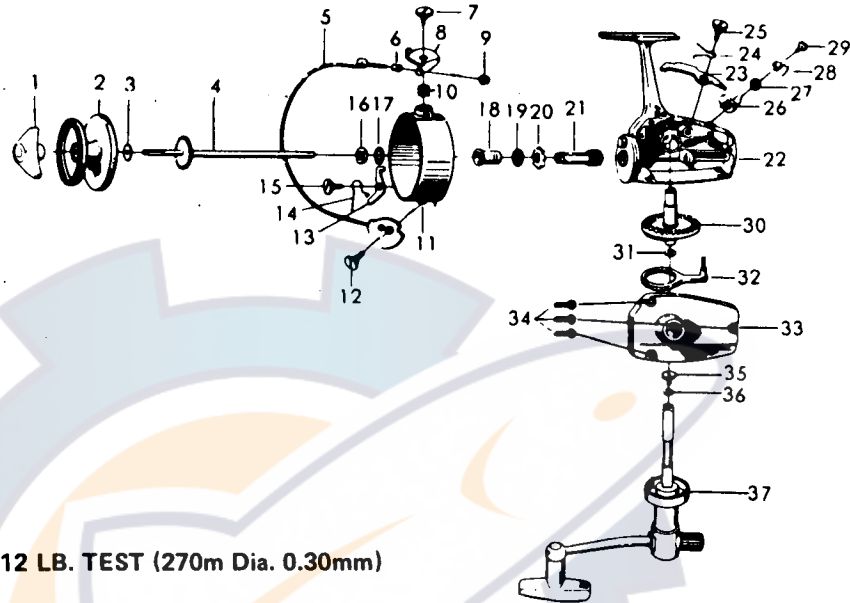




# SPINNING REEL 7350RL



LINE CAPACITY: 250 YDS., 12 LB. TEST (270m Dia. 0.30mm)

Key No.	Parts No.	Parts Name	Key No.	Parts No.	Parts Name
1	60034423	Drag knob	20	62801321	Ratchet
2	60034731	Spool assembly	21	64007741	Pinion
3	63714412	Spool washer	22	60064504	Body
4	60034801	Main shaft	23	61104011	Anti-reverse claw
5	60028832	Bail	24	61413011	Anti-reverse claw spring
6	62501901	Line roller	25	63611511	Anti-reverse claw screw
7	63616401	Arm lever screw	26	64602811	Anti-reverse cam
8	62303911	Arm lever	27	61501751	Anti-reverse lever washer
9	63408201	Bail nut	28	65403711	Anti-reverse lever
10	61409221	Bail spring	29	63501931	Anti-reverse lever screw
11	60064641	Rotor	30	64110851	Drive gear
12	63616501	Bail holder screw	31	63712820	Drive gear washer
13	65706611	Bail kick lever	32	60075311	Oscillating slider
14	61405031	Bail kick lever spring	33	60608211	Body cover
15	63611511	Bail kick lever screw	34	63513701	Body cover screw
16	63405842	Rotor nut	35	63513631	Handle screw
17	61601611	Rotor washer	36	63719521	Handle washer
18	65002431	Pinion collar A	37	60073661	Handle
19	65002301	Pinion collar B			

<b>Darwa</b>
Page 24
Date 12-75
Rev. No. 00